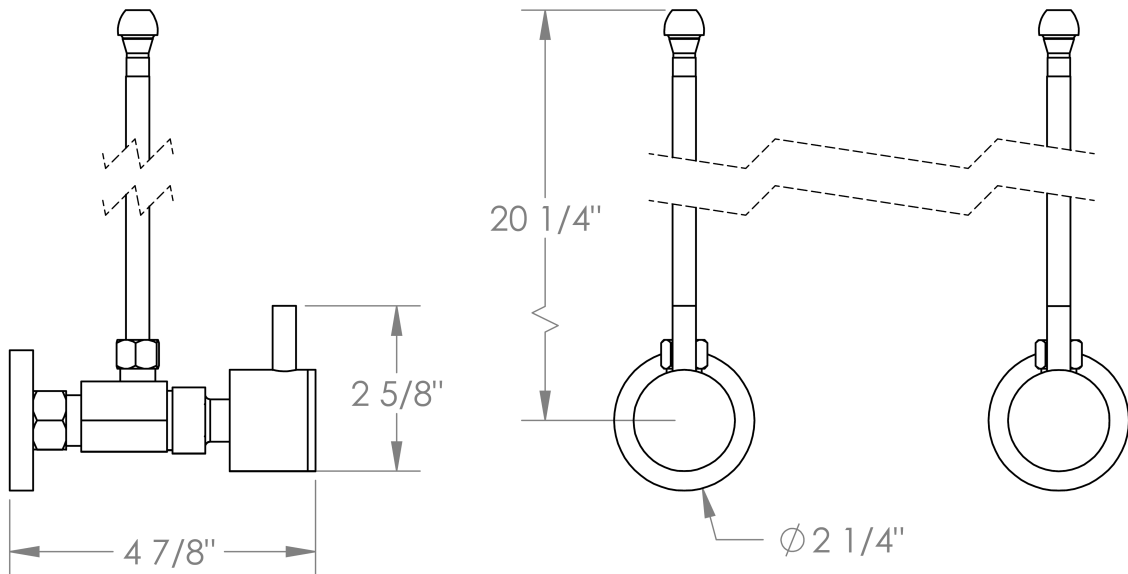
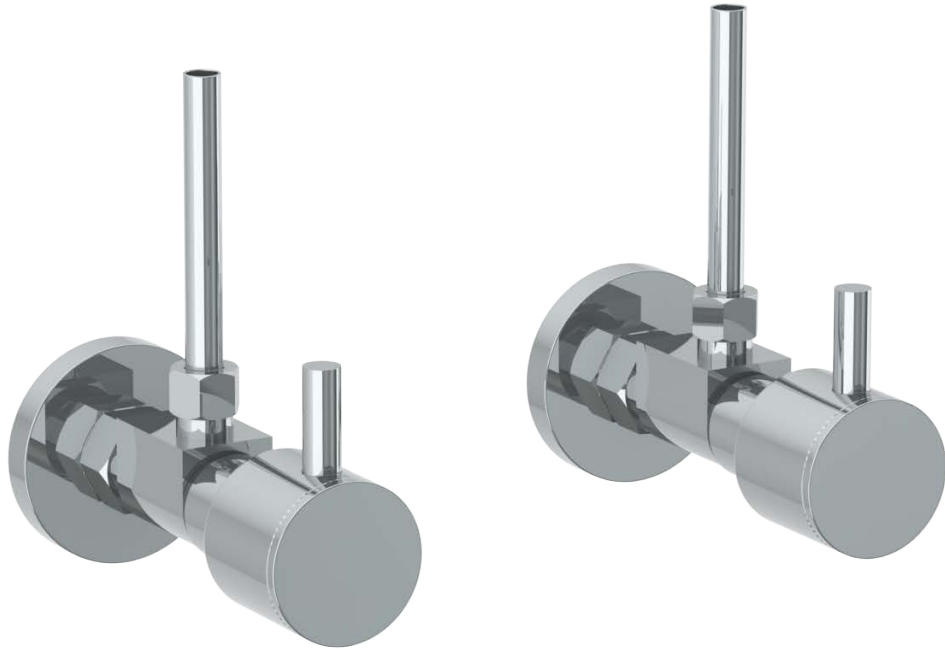


22-MAS1-TIB

Lavatory Angle Stop Kit

1/2" Compression x 3/8" OD Compression



Meets the applicable requirements of ASME A112.18.1-2005/CSA B125.1-05, entitled "Plumbing Supply Fittings"

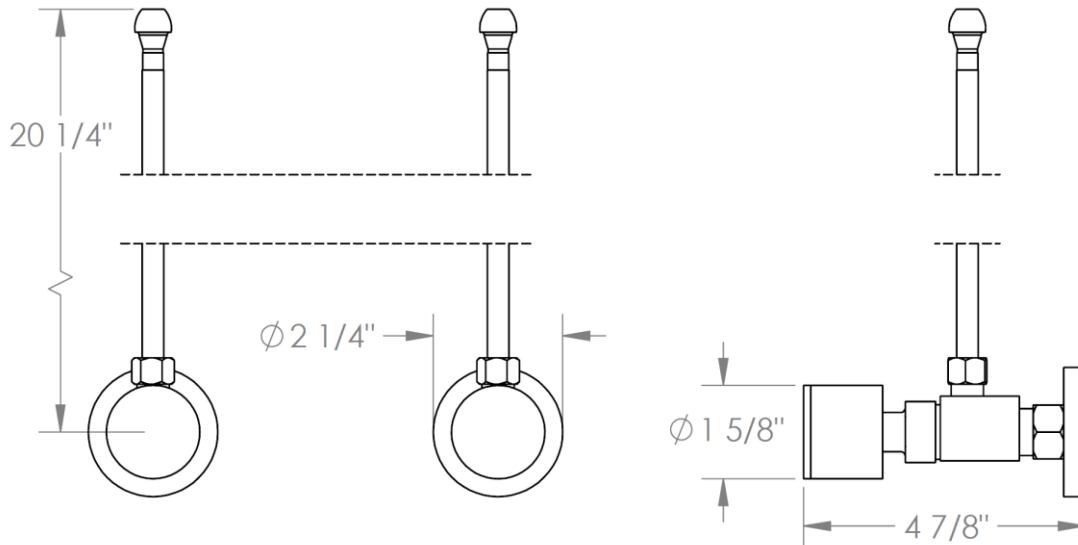
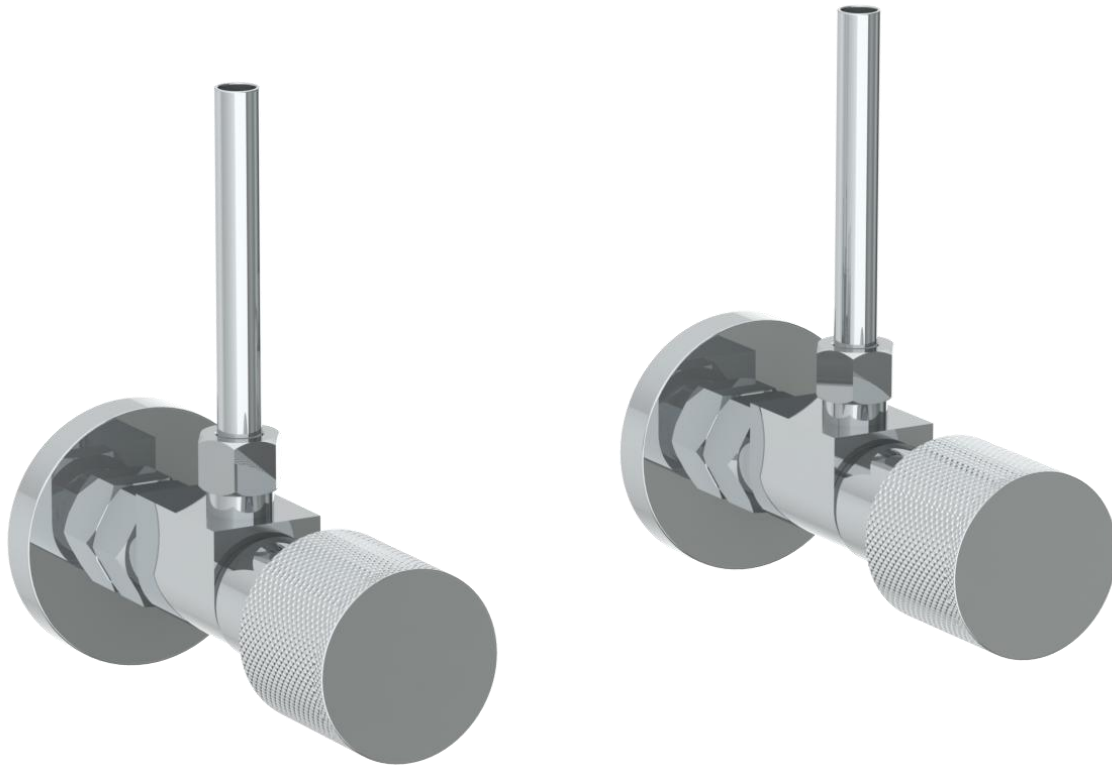
WATERMARK DESIGNS 1/23/2018

350 Dewitt Ave Brooklyn NY 11207 USA T 718 257 2800 F 718 257 2144 info@watermark-designs.com

22-MAS1-TIA

Lavatory Angle Stop Kit

1/2" Compression x 3/8" OD Compression



WATERMARK DESIGNS 1/24/2019

350 Dewitt Ave Brooklyn NY 11207 USA T 718 257 2800 F 718 257 2144 info@watermark-designs.com